

PRODUCT INFORMATION PACKET

Model No: 056H17T2011

Catalog No: Y500

microMAX™ Inverter Duty Speed Ratio Motor, 0.25 HP, 3 Ph, 60 Hz, 230 V, 1800 RPM, 56C Frame, TENV



Regal and Marathon are trademarks of Regal Rexnord Corporation or one of its affiliated companies.

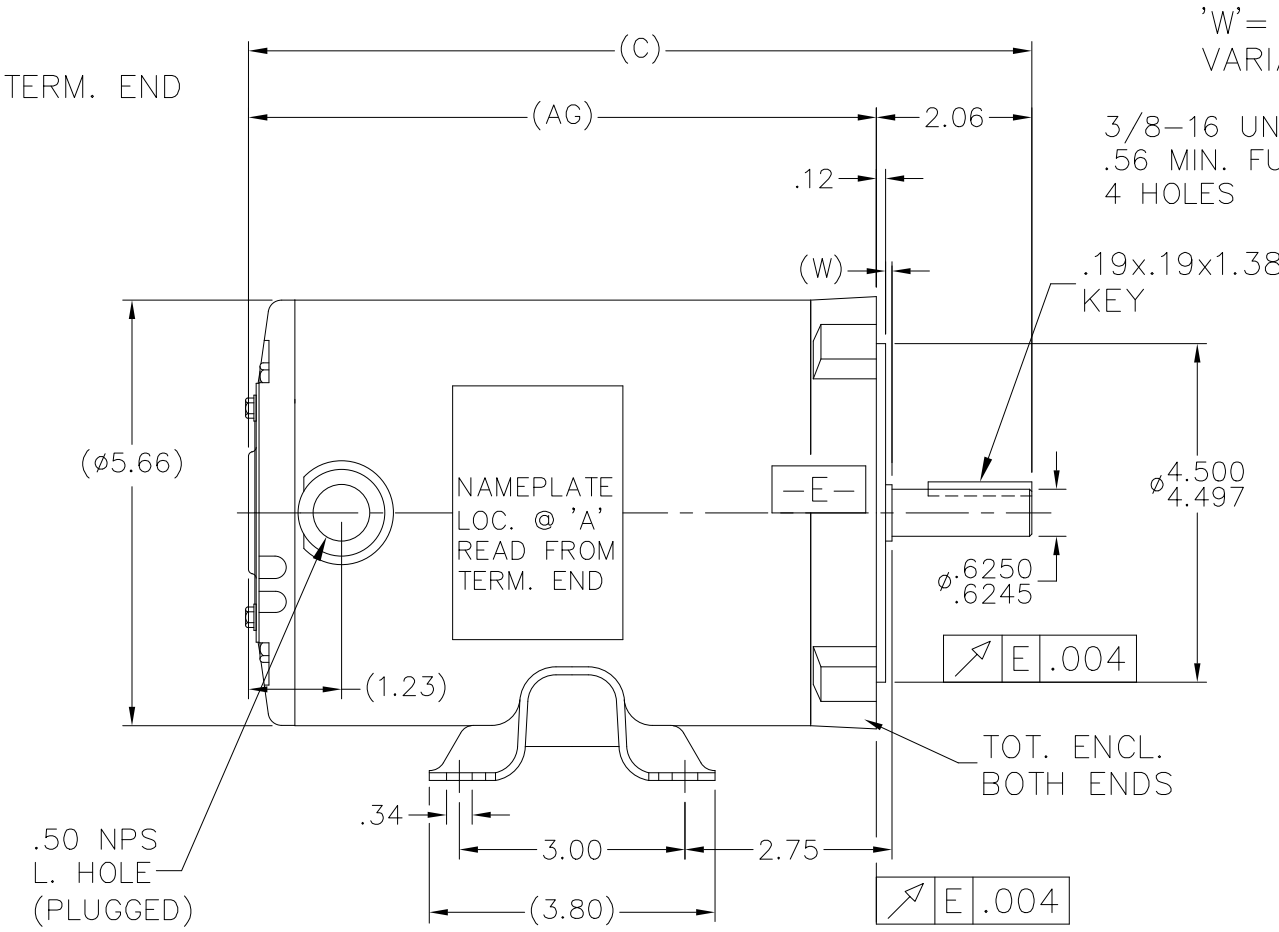
©2025 Regal Rexnord Corporation, All Rights Reserved. MC017097E

Nameplate Specifications

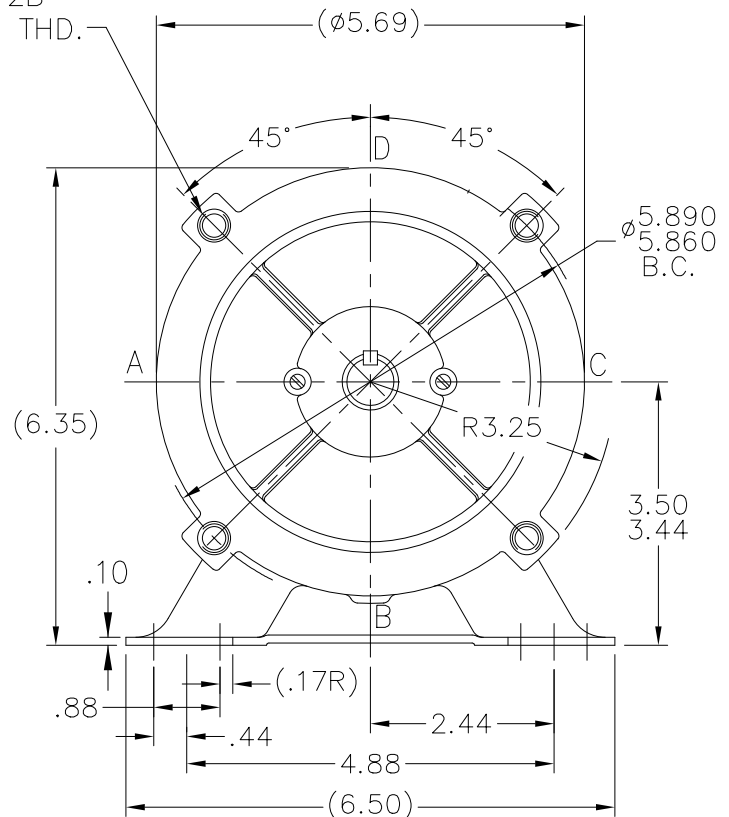
Phase	3	Output HP	0.25 Hp
Output KW	0.19 kW	Voltage	230 V
Speed	1725 rpm	Service Factor	1.00
Frame	56C	Enclosure	Totally Enclosed Non Ventilated
Thermal Protection	No Protection	Efficiency	72 %
Ambient Temperature	40 °C	Frequency	60 Hz
Current	1.0 A	Power Factor	65
Duty	Continuous	Insulation Class	H
Design Code	INV	KVA Code	M
Drive End Bearing Size	6203	Opp Drive End Bearing Size	6203
UL	Recognized	CSA	Y
CE	Y	IP Code	43
Number of Speeds	1		

Technical Specifications

Electrical Type	Squirrel Cage Inverter Duty	Starting Method	Inverter Only
Poles	4	Rotation	Reversible
Resistance Main	64.1 Ohms	Mounting	Rigid Base
Motor Orientation	Horizontal	Drive End Bearing	Ball
Opp Drive End Bearing	Ball	Frame Material	Rolled Steel
Shaft Type	NEMA 56	Overall Length	9.91 in
Frame Length	6.25 in	Shaft Diameter	0.625 in
Shaft Extension	2.06 in	Assembly/Box Mounting	F1 ONLY
Inverter Load	CONSTANT 1000:1		
Outline Drawing	A-SS403144-625	Connection Drawing	A-EE7300HX



'W' = CLEARANCE ALLOWED FOR ALL VARIANCES IN MANUFACTURING & ASSEMBLY

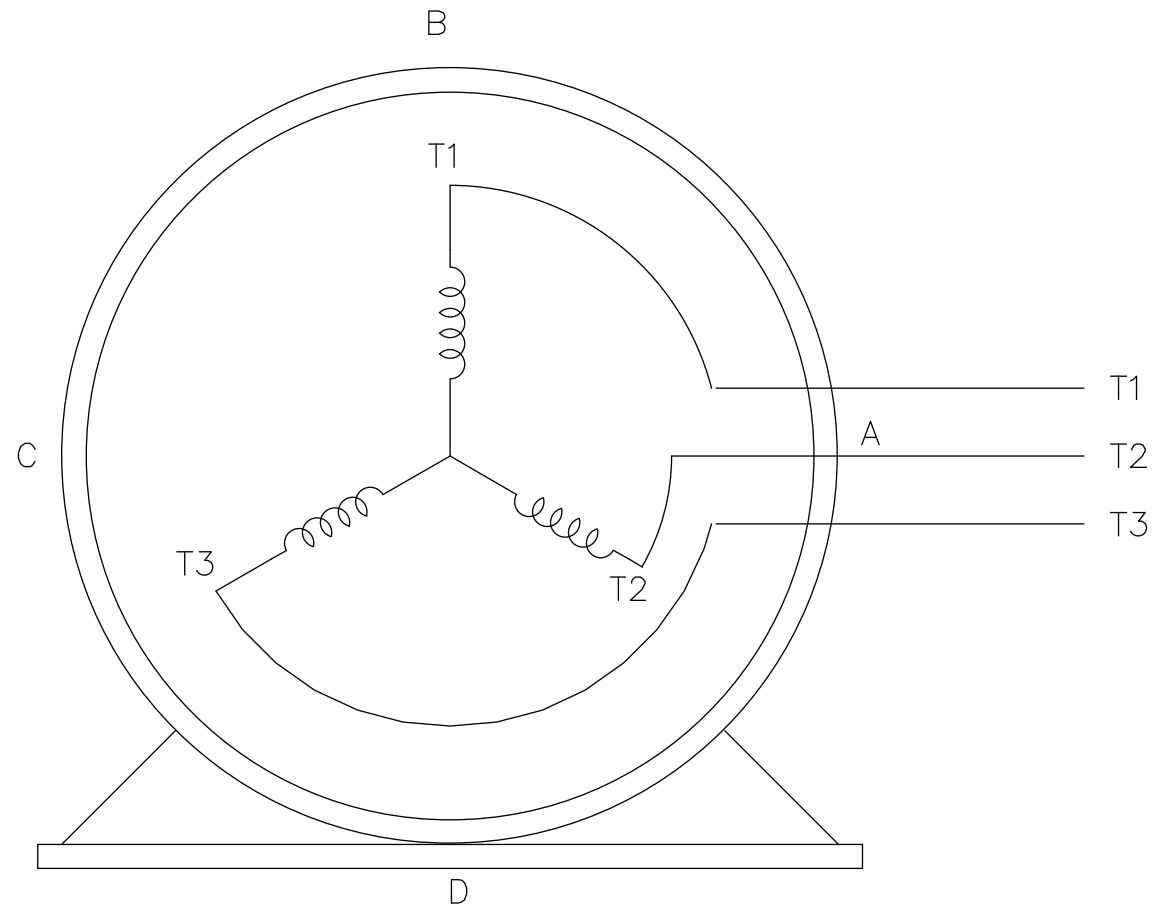


DASH	FR	C	AG		DASH	FR	C	AG		DASH	FR	C	AG	
550	56	9.16	7.10	01-17-2002	650	56	10.16	8.10		725	56	10.91	8.85	
600	56	9.66	7.60		675	56	10.41	8.35		750	56	11.16	9.10	
625	56	9.91	7.85		700	56	10.66	8.60		775	56	11.41	9.35	

				TOLERANCES UNLESS SPECIFIED		Regal Rexnord		Regal Beloit America, Inc.		DRAWN NJS 05-11-2001			
				DEC.	INCHES					CHK	ML 05-11-2001		
4	CHD FROM MARATHON TO RRX LOGO			KVDG 05-28-2024	DS	.X	±.1	TITLE OUTLINE		APPD	TOM 05-14-2001		
3	REVISED "C" & "AG" DIMS	ISAAC10-2047		TJW 7/27/2010	CTO	.XX	±.03			SCALE	3=8		
2	REDRAWN IN AUTOCAD			TAT 07-06-2004	ML	.XXX	±.005	MAT'L.		REF			
1	NEW DRAWING	MU37179		NJS 05-14-2001		.XXXX	±.0005			FINISH			
NO.	REVISION			BY & DATE	CHK	ANG	±7'30"			PREV			
THIS DRAWING IN DESIGN AND DETAIL IS OUR PROPERTY AND MUST NOT BE USED EXCEPT IN CONNECTION WITH OUR WORK ALL RIGHTS OF DESIGN AND INVENTION ARE RESERVED THIS IS AN ELECTRONICALLY GENERATED DOCUMENT - DO NOT SCALE THIS PRINT				RFP	CAD FILE ss403144				SIZE	DRAWING NO.	PAGE	OF	REV.
				DIST	WP					A	SS403144	4	4

THREE PHASE – SINGLE VOLTAGE MOTOR

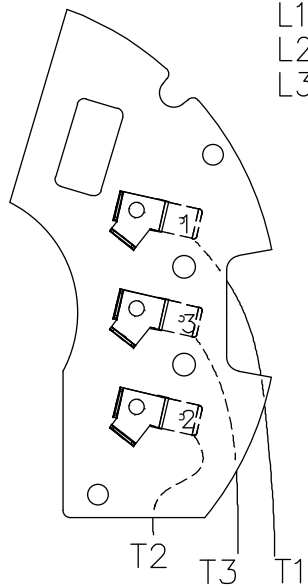
TO REVERSE ROTATION:
INTERCHANGE ANY TWO LINE
LEAD CONNECTIONS




VIEW OF TERMINAL END

TERMINAL BOARD
WHEN SPECIFIED

L1 TO 1
L2 TO 2
L3 TO 3



			TOLERANCES UNLESS SPECIFIED			DRAWN NJS 06-18-2001			
			DEC.	INCHES		CHK	ML 06-19-2001		
			.X	±.1		APPD	GK 06-19-2001		
3	UPDATED TERMINAL BOARD COMMENT	UD 11/12/13	BV	.XX ±.02	TITLE CONNECTION DIAGRAM SINGLE VOLT – 3Ø MOTOR	SCALE 1=1			
2	REDRAWN IN AUTOCAD	TAT 08-02-2004	ML	.XXX ±.005		REF			
1	NEW DRAWING	MU37179 NJS 06-19-2001		.XXXX ±.0005	MAT'L.	FMF			
NO.	REVISION	BY & DATE	CHK	ANG	±7'30"	FINISH	PREV		
THIS DRAWING IN DESIGN AND DETAIL IS OUR PROPERTY AND MUST NOT BE USED EXCEPT IN CONNECTION WITH OUR WORK ALL RIGHTS OF DESIGN AND INVENTION ARE RESERVED THIS IS AN ELECTRONICALLY GENERATED DOCUMENT – DO NOT SCALE THIS PRINT			RFP	CAD FILE ee7300hx			SIZE	DRAWING NO. PAGE OF	REV.
			DIST				A	EE7300HX	3

NONE	P/N	NONE	
NONE	NONE		
NONE FT-LB		NONE V	NONE Hz

DATE: 06/28/2017 01:10:36 AM
FORM 3531 REV.3 02/07/99
** Subject to change without notice.

Data Sheet

Date: 8/23/2017
 Customer: _____
 Attention: _____
 Submitted by: VINAYAK YERATE



56H17T2011

Submittal

Data @ 230 V

Motor Load Data

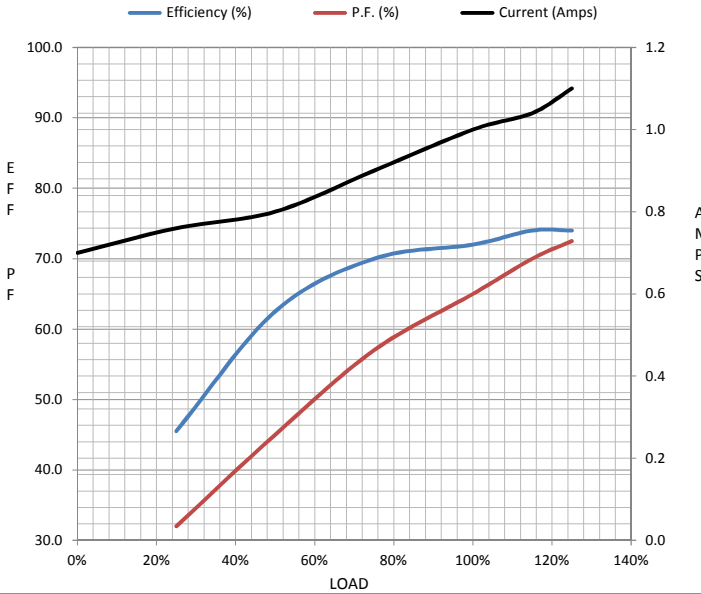
Load	0%	25%	50%	75%	100%	115%	125%	LR
Current (Amps)	0.70	0.76	0.80	0.90	1.00	1.04	1.10	7.0
Torque (ft-lb)	0.00	0.18	0.37	0.55	0.76	0.88	0.96	3.5
RPM	1800	1780	1760	1740	1725	1,715	1705	0
Efficiency (%)		45.5	62.5	70.0	72.0	74.0	74.0	
P.F. (%)	17.0	32.0	45.0	57.0	65.0	70.0	72.5	75.0

Motor Speed Data

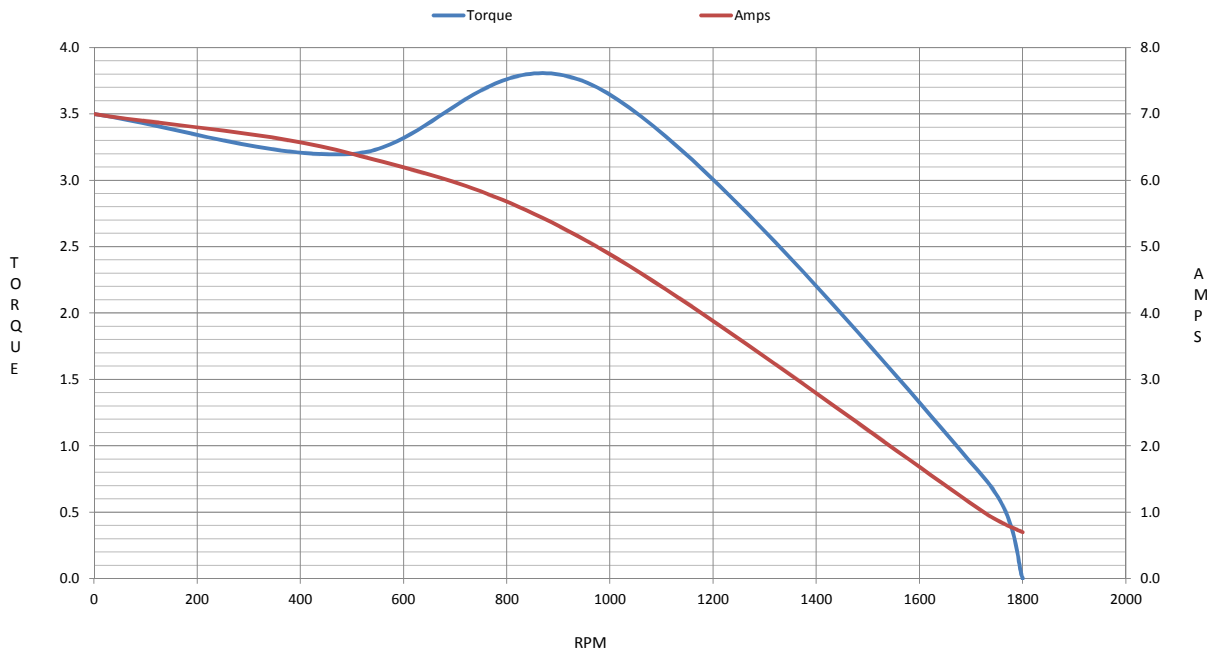
	LR	Pull-Up	BD	Rated	Idle
Speed (RPM)	0	500	975	1725	1800
Current (Amps)	7.0	6.4	5.0	1.00	0.70
Torque (ft-lb)	3.5	3.2	3.7	0.76	0.00

Information Block

HP	0.3			
Sync. RPM	1800			
Frame	48			
Enclosure	TENV			
Construction	TTR			
Voltage	230 V			
Frequency	60 Hz			
Design	B			
LR Code letter	M			
Service Factor	1.15			
Temp Rise @ FL	45 °C			
Duty	CONT			
Ambient	40 °C			
Elevation	1,000 feet			
Rotor/Shaft wk ²	0.04 Lb-Ft ²			
Ref Wdg	TE48428 R2			
Sound Pressure @ 1M	62 dBA			
VFD Rating	CONSTANT 1000:1			
Outline Dwg	A-SS403144-625			
Conn. Diag	A-EE7300HX			
Additional Specifications:				
0				
0				
EQUIV CKT (OHMS / PHASE)				
R1	R2	X1	X2	Xm
9.2470	7.1480	9.0770	4.2830	170.1880



Speed - Torque Curve



EC Declaration of Conformity

The undersigned representing
the manufacturer:

Regal Beloit America
100 East Randolph St.
Wausau, WI 54401

and the authorized representative
established within the Community:

Marathon Electric UK
6F Thistleton Road Ind. Estate
Market Overton
Oakham, Rutland LE15 7PP UK

are committed to providing customers with products that comply with applicable regulations and international protocols to which they are subject, including the requirements of the European Parliament Directive on the Harmonization of the laws relating to electrical equipment designed for use within certain voltage limits (2014/35/EU).

Regal Beloit America declares that the following product(s), to which this declaration relates, are in conformity with the relevant sections of the EC standards listed below.

This statement supersedes any statements previously issued pertaining to the product(s) listed below and is subject to change without notice.

Model No : 056H17T2011

(Model No. may contain prefix and/or suffix characters)

Catalog No : Y500

Rework No : N/A

Directives :

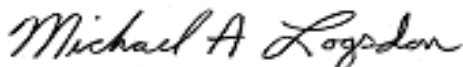
Low Voltage Directive 2014/35/EU

Harmonized Standards Used :

EN 60034-1: 2010 (IEC 60034-1: 2010)

EN 60034-5: 2001/A1:2007 (IEC 60034-5: 2000/A1:2006)

Authorized Representative:



Michael A. Logsdon
Vice President, Technology

Authorized Representative in the Community:



Julian Clark
Marketing Engineer

Created on 09/01/2022

CE 22